



Long Door Pulls

Offered in two Models:

9264

Offset

9266

Straight

- Heavy 1-1/4" Round Brass or Stainless Steel
- Round or Flat Tip
- 316 Stainless Steel
- 1-3/4", 2" or 2-1/4" Door Thickness
- Round Tip Standard
- Flat Tip Optional

Dimensions

Length: 36" / 20" CC

72" / 56" CC

Diameter: 1-1/4"

Projection: 2-3/4"

Special Lengths Available

18" and 24"

Custom lengths available from 36" to 144"

Finishes

Ives Number	US3	US4	US10B	US32	US32D
BHMA	605	606	613	629	630



Offset Bracket



Round Tip



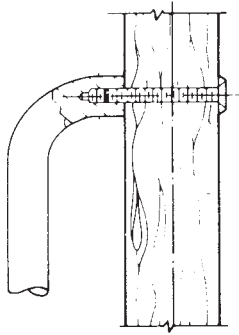
Flat Tip

Note: A middle position bracket is required for pulls over 8 feet.

Mounting

- All mounting hardware is for standard 1-3/4" door.
- Consult Customer Service if other than standard.

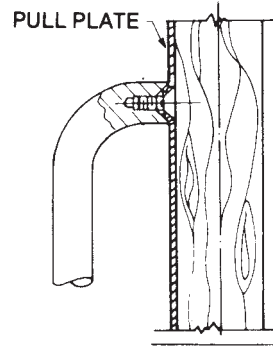
Type Standard Mount



Standard Mounting

- (2) 3/8-16 x 2-1/4" brass, flat head machine screws; plate to match.
 - (2) 3/8-16 countersunk washers; plated to match
- Note: 8102HD and 8105 have (2) 5/16-18 x 2-1/2" machine screws
 -Options: (2) 5/16 countersunk washers

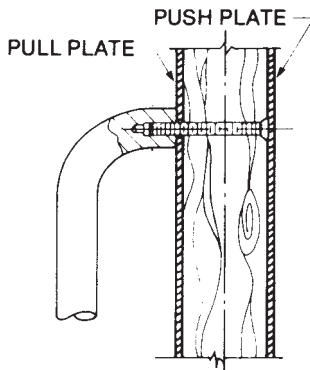
Type G Mount



Concealed Pull Plate Mounting

- Available only for 8302, 8303, 8311 Pull Plates.
- (2) 3/8-16 x 5/8" steel flat head machine screws; zinc plated.
- Pull mounts directly onto plate.
 Plate is attached to door by 6 screws.
 Note: 8302 has (2) 5/16-19 x 5/8" steel flathead zinc plated screws

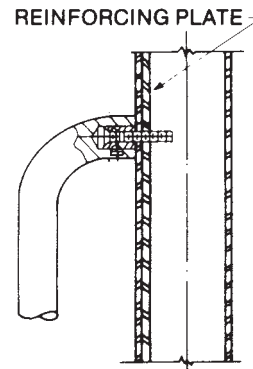
Type F Mount



Wood Doors Concealed Pull Mounting With Push Plate

- (2) 2-1/4" steel flat head machine screws; zinc plated.
- Available only for 8102HD, 8103HD, 8105, 8111, 8302, 8303, 8305 and 8311. Plate on opposite side of door must be ordered separately.
- Note: 8102HD, 8302 will have 5/16-18
 8105, 8111, 8305, 8311 will have 1/4-20
 8103HD, 8303 will have 3/8-16"

Type H-I-L Mount



Reinforced Hollow Metal Door Concealed Pull Mounting

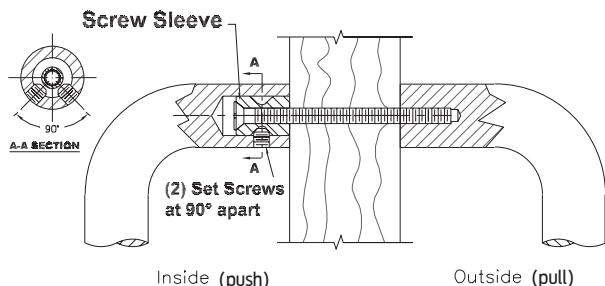
- Available only for 8102, 8103, 810EZ or wood door pulls, 8302, 8303 pull plates and 9264, 9265, 9266 and 9267 long door pulls.
- (2) Steel screw sleeves; zinc plated.
 - (2) Steel countersunk trim head machine screw; zinc plated for reinforced metal door.
 - (2) Steel countersunk trim head steel metal screw; zinc plated for wood doors.
- Note: 8102HD and 8302 will have 5/16-18"
 8103HD, 8103EZHD, 8303 will have 3/8-16

Mounting for 8103EZ, 8190, 9100, 9103EZ, 9190 and 9264, 9265, 9266 and 9267 long door pulls.

• All mounting hardware is for standard 1-3/4" door.

• Consult Customer Service if other than standard.

Type J/N Mount



Back to Back "Two-Anchor"

Wood or Metal Door

Available only for 8103EZHD, 8190HD, 9100HD push/pull combinations and 9264, 9265, 9266 and 9267 long door pulls.

- (2) 3/8-16 x 2-3/4" steel countersunk trim head machine screws with (4) set screws for maximum anchoring force.
- (2) Steel screw sleeves; zinc plated.

Type NS-Standard Push/Pull Mounting

Type N & Standard

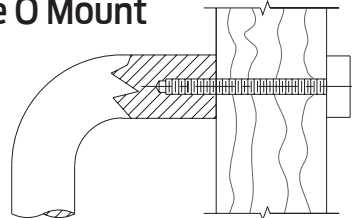
Pushbar to Pull

- (1) 3/8 - 16 X 3" steel countersunk trim head machine screws with (2) set screws.
- (1) steel screw sleeve, zinc plated.

Free End Pushbar & Pull

- (2) 3/8 - 16 X 2-1/4" brass, oval head mach screws; plated to match.
- (2) No. 14 countersunk washers; plated to match.

Type O Mount



Decorative Blind Thru - Bolt

Wood or Metal Door

Available only for 8103EZHD, 8190HD and 9100HD Series Push/Pull Combinations.

- (2) 3/8-16 x 2-1/4" blind thru - bolts; plated to match.

Type NO Push/Pull Mounting

Type N & Type O

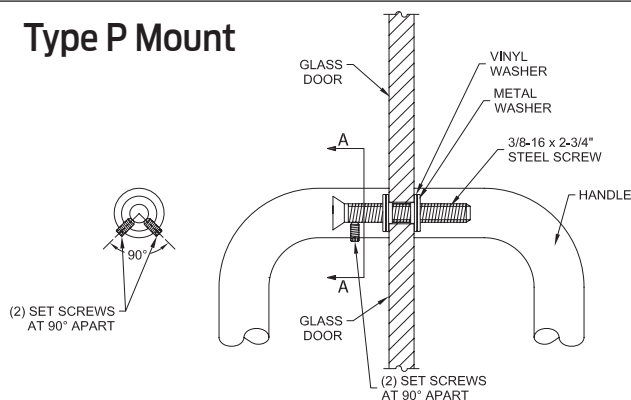
Pushbar to Pull

- (1) 3/8 -16 X 3" steel countersunk trim head machine screws with (2) set screws.
- (1) steel screw sleeve, zinc plated.

Free End Pushbar & Pull

- (2) 3/8 - 16 X 2-1/4" blind thru-bolts; plated to match.

Type P Mount



1/2" Glass Door

Available only for 8103EZHD, 8190HD, 9100HD, 9265 and 9266 long door pulls.

- (2) 3/8-16 x 2-1/4" steel countersunk trim head machine screws with (4) set screws for maximum anchoring force.
- (2) Steel screw sleeves; zinc plated
- (2) Metal and Vinyl washers

Hinges & Pivots
A

Pulls & Plates
B17

Flush Bolts & Coordinators
C

Latches, Catches & Bolts
D

Stops
E

Exterior Hardware
F

Miscellaneous Hardware
G