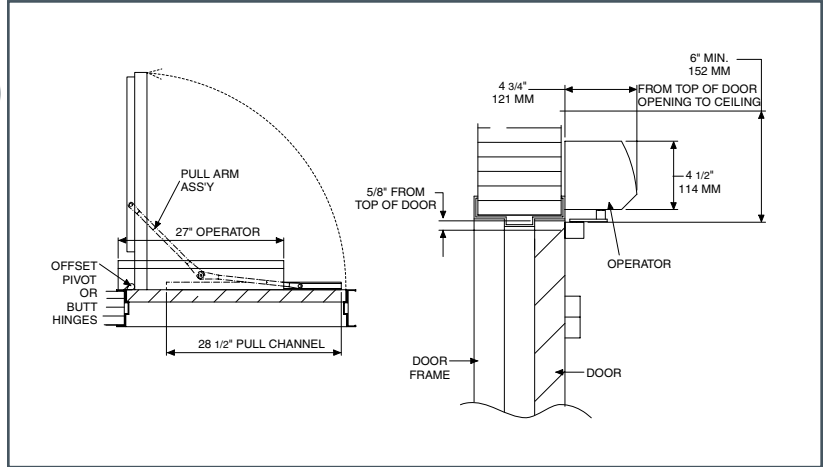




# 9130 SERIES

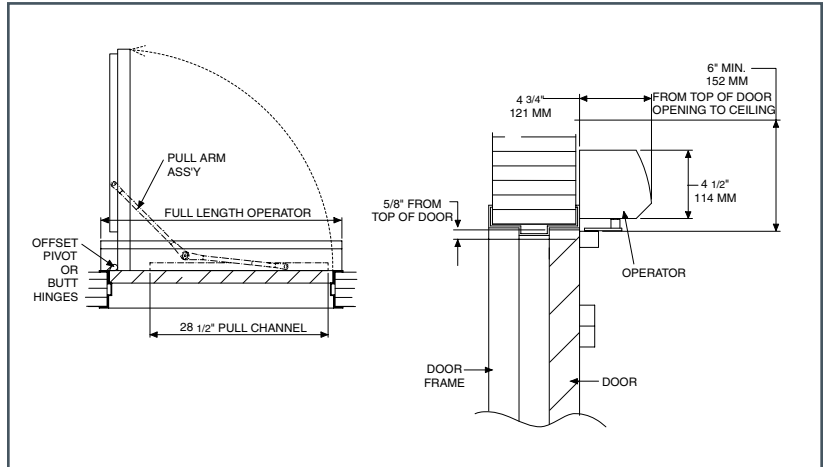
## TOP JAMB SINGLE DOOR (OFFSET/BUTT HINGE, CENTER PIVOT, PULL, STANDARD COVER) MOUNTING



## TOP JAMB SINGLE DOOR (OFFSET/BUTT HINGE, CENTER PIVOT, PULL, FULL COVER) MOUNTING

### MAXIMUM OPENING

Template allows 90 degree power opening and 90 degree manual opening.



- **Butt Hinges** should not exceed 5" (127 mm) in width.
- **Reveal** should not exceed 1/8" (3 mm).
- **Head Frame** minimum 2" (51 mm).
- **Top Rail** minimum 2" (51 mm).
- **Opening and Closing Time** are variable by adjustments to the electronic control module located on the operator assembly. Maximum hold open time adjustable up to approximately 30 seconds.
- **System Diagram** see "AUTOMATIC OPERATORS" section pages 53 for typical system wiring and page 56 for electrical data.

Contact LCN Product Support for installation assistance.

# 9130 SERIES

## MOTOR GEARBOX

### MOTOR GEARBOX ASSEMBLY, 9130-3454S

Driving mechanism for operator. (Switch included).  
For 27" unit.

### MOTOR GEARBOX ASSEMBLY (W/O SWITCH), 9130-3454

Driving mechanism for operator. (Switch not included).  
For full length unit (36").

## BRACKETS

### MOUNTING BRACKET, 9130-3018

Standard mounting bracket.

### SWITCH BRACKET – 29" CABLE, 9130-3351-1

Bracket used to locate switch at end of cover on full length unit.

### SWITCH BRACKET – 41" CABLE, 9130-3351-2

Bracket used to locate switch at end of cover on full length unit.

## CONTROL BOXES

### CONTROL BOX, (120v), 9130-3462

Electronic controlling device with power supply output and power boost feature for Benchmark.

## COVERS

### METAL COVER, 9130-72MC

Standard, 27", non-handed, extruded aluminum cover.

### FULL METAL COVER, 9130-72FC

36", non-handed, extruded aluminum cover.

### COVER INSERT 9130-163

Used to cover operator shaft opening. (Includes 2 pieces).

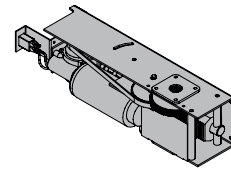
### COVER END CAP INSERT, 9130-163-1

Used to cover switch hole opening.

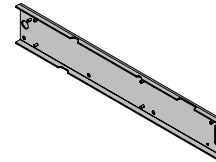
### COVER END CAP, 9130-334

Black plastic end caps. (Includes 9130-163-1 cover and cap insert).

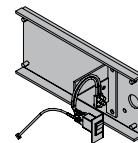
3454  
3454S



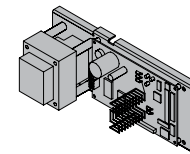
3018



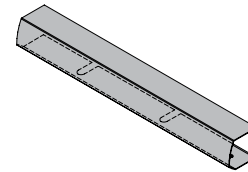
3351-1  
3351-2



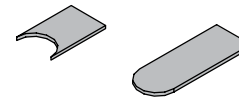
3462



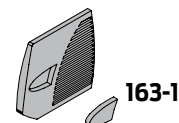
72MC  
72FC



163



334



Note (\*334 includes 163-1)

# 9130 SERIES

## TRACKS

### STANDARD TRACK, 9130-3038

Standard, non-handed track.

### TRACK END CAP, 9130-73

Black plastic end caps.

### ROLLER, 9130-3034

Quiet low friction roller assembly.

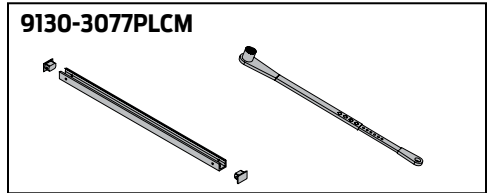
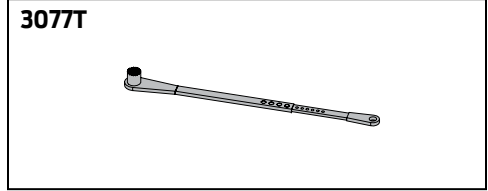
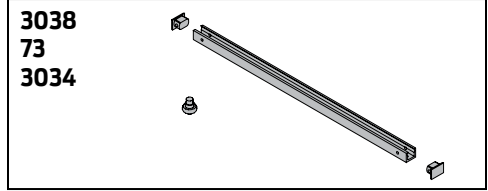
## ARMS

### STANDARD ARM, 9130-3077T

Non-handed arm. Track roller not included.

### STANDARD ARM with 9130-3077PLCM

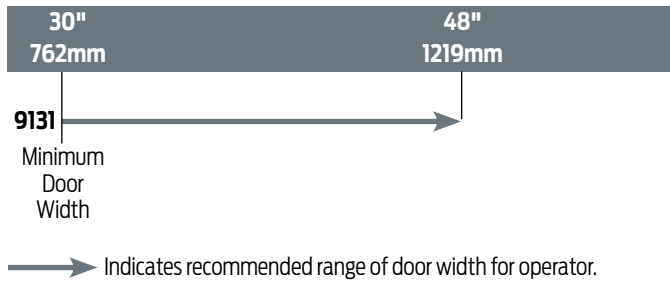
Non-handed arm and standard non handed track.



# 9130 SERIES

## TABLE OF SIZES

### DOOR WIDTH



NOTE: For All Benchmark Series.

30" minimum door width for 27" pull operator.

36" door width only for full length pull operator.

## HOW-TO-ORDER 9130 SERIES OPERATORS

### 1. SPECIFY FINISH

- Standard Anodized Finish \_\_\_\_\_  
Aluminum or Dark Bronze.

### Operator will be shipped with:

- STANDARD MOTOR GEARBOX,
  - STANDARD CONTROL BOX,
  - MOUNTING BRACKET,
  - 27" METAL COVER,
  - STANDARD ARM (3077T),
  - STANDARD TRACK w/TRACK ROLLER,
  - WOOD and MACHINE SCREW PACK
- Unless options listed below are selected.*

## OPERATOR OPTIONS

### COVER

- 36" Full Cover.

ORDERING INFORMATION