

SEM SERIES

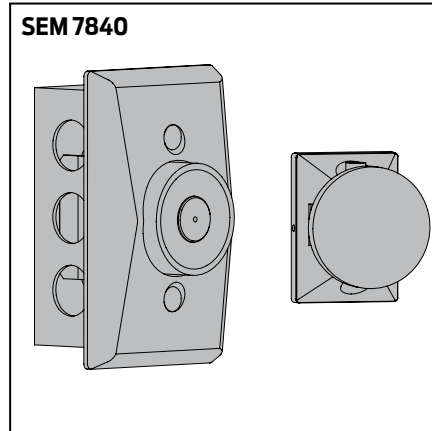
FEATURES

SEM 7840 MAGNET

Die cast housing, low profile recessed wall mount.

2" (51 mm) x 4" (102 mm) x 1-1/2" (38 mm).

NOTE: Outlet box not included.



SEM FEATURES

- Tri-voltage design with 35 lbs. of holding force.
- Now available armature extensions from LCN (see page 11).
- SEM 7840 magnets are shipped with die cast housing, cover, armature and WMS screw pack.
- SEM 7840 available in Aluminum and Dark Bronze finishes only.
- Suitable for use in pocket door installations.
- UL listed for smoke barrier or labeled fire doors.

