



Surface mounted closer

4010 Series

Overview

The 4010 is LCN's best performing heavy duty closer designed specifically for institutional and other rugged high traffic applications.



Cylinder

4011(6)-3071

Cast iron cylinder assembly

Handing

Handed

Sizing

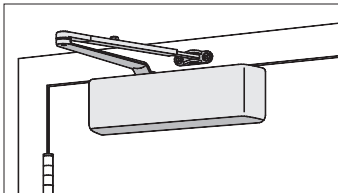
Adjustable 1-5 or sized 6

- 4011 (adjustable from size 1 to 5)
- 4016 (Size 6, DEL not available)

Available cylinder options

DEL	Delayed action cylinder
-----	-------------------------

Mounting



Hinge (pull side)

Finishes

Powder coat finishes



689
Aluminum



690
Statuary Bronze



691
Light Bronze



693
Black



695
Dark Bronze



696
Brass

150+ additional custom colors available using the RAL numbering system

Metal plated finishes



632
Bright Brass



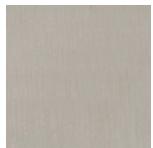
633
Satin Brass



639
Satin Bronze



616
Satin Bronze,
Blackened



646
Satin Nickel



651
Bright Chrome



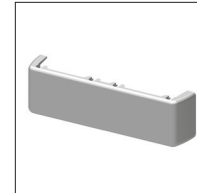
652
Satin Chrome

Available finish options

MTLPC	Brite metallic: Custom powder coat finish, which resembles that of 651 or 652 plated finish.
SRI	For installations where a higher level of protection against weather conditions, or the effects of a potentially corrosive atmosphere is required, LCN offers a special rust inhibiting (SRI) process. Ferrous metal components receive an SRI pretreatment and a standard powder coat finish of your choice, or a custom powder coat finish for a nominal additional cost. Closers treated with the SRI process exceed the 100 hour protection level available with standard LCN powder coated finishes.

Covers

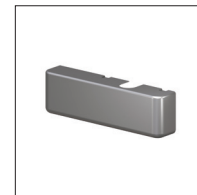
Standard cover



4010-72
Plastic cover

- Non-handed

Optional cover



4010-72MC
Metal cover

- Handed
- Required for plated finishes and custom powder coat finishes
- Optional

Arms



4010-3077
Regular arm

- Non-handed



4010-3049
Hold-open arm

- Handed
- Provides hold-open function, adjustable at elbow
- Optional



4010-3049FL
Fusible link arm

- Handed
- Releases hold-open function when exposed to temperatures above 165° F. 1/8" (3 mm) maximum reveal
- Optional
- NOTE: Check local codes before specifying FL arms. NOT A life safety product!

Installation accessories



4010-18

Plate

- Required where top rail is less than 3 3/4" (95 mm)
- Requires minimum 2" (51 mm) top rail

Fasteners

Self-reaming and tapping screws included standard

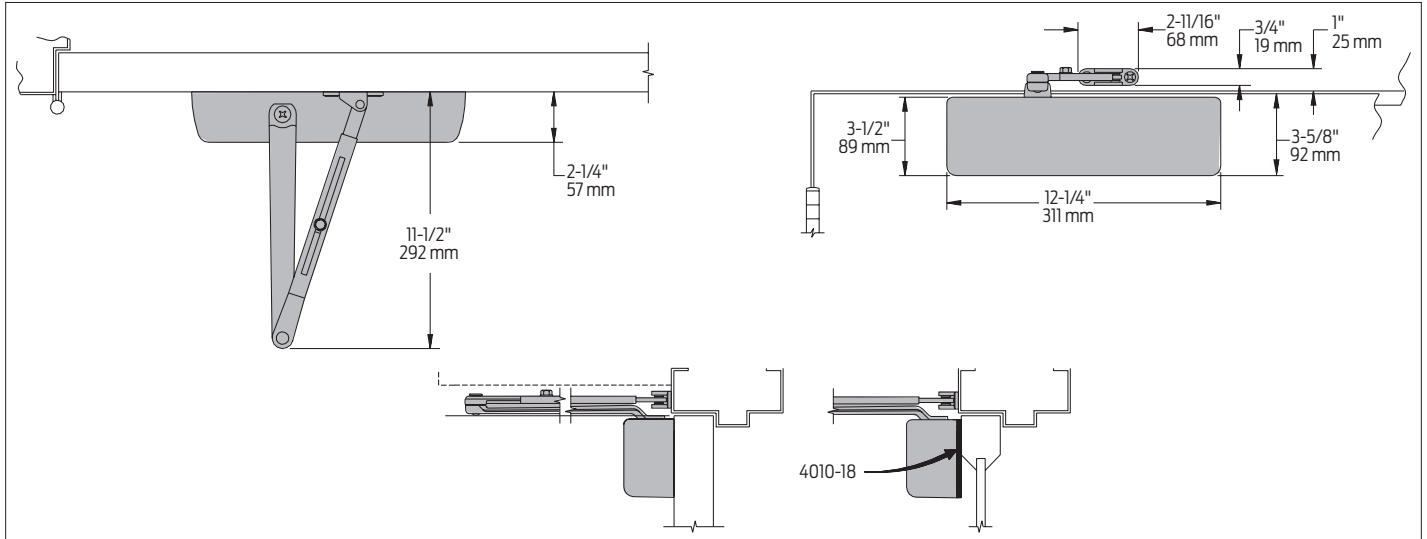
Fastener pack options

TBSRT	TB ¹ with self-reaming and tapping screws
WMS	Wood and machine screw
TBWMS	TB ¹ , wood and machine screw
TORX	TORX machine screw
TBTRX	TB ¹ and TORX machine screw

¹ Specify door thickness if other than 1 3/4"

Dimensions and mounting

Hinge (pull) side mounting



Specifications

Accessibility	Available with less than 5.0 lbs. opening force on 36" door
Certifications/ approvals	<ul style="list-style-type: none"> ■ Grade 1 - ANSI A156.4 ■ UL 10C ■ Meets BAA - Buy American Act
Degree of operation	Hinge (pull) side Max opening: 140° Hold open: 140°
Environmental conditions	<ul style="list-style-type: none"> ■ Approved for interior use ■ Approved for exterior use (SRI coated only) ■ LCN's standard all weather fluid performs to temperature ranges from 120°F (49°C) to -30°F (-35°C) ■ LCN's powder coat finish surpasses 100 hours of salt spray which is over four times the ANSI standard for corrosion resistance.
Warranty	30 years
Standard features	<ul style="list-style-type: none"> ■ Cast iron body ■ Full complement bearing ■ 1 1/2" diameter piston ■ 11/16" diameter double heat treated pinion journal