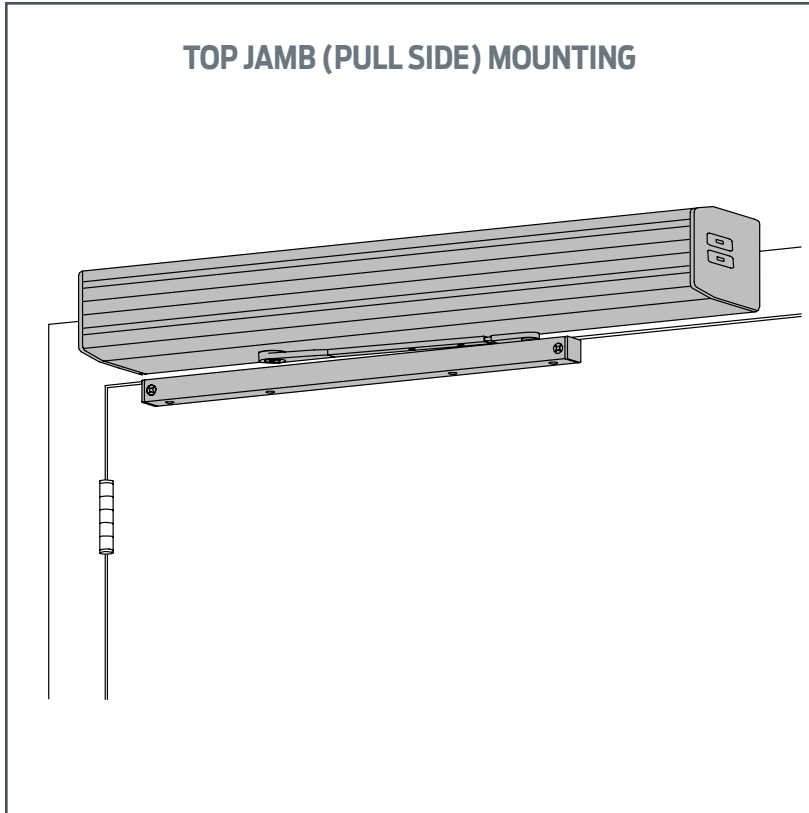


# 4630 SERIES

## FEATURES



The 4630 AUTO EQUALIZER™ is LCN's SMART & RELIABLE electrically powered low-energy power operator. It provides easy access for people with disabilities, or the elderly. Designed primarily for manual opening applications that occasionally required automatic opening.

- Digital Control Box.
- Utilizes a 4040 Heavy Duty Door Closer.
- On-Board Diagnostics.
- On-Board Power Supply.
- Factory-Default Memory.
- Includes "No Destruct" Drive System.
- Guard Rails or Safety Mats not required.

4630 Series is UL and cUL listed with standard arm for self-closing doors and meets the provisions of ANSI Standards A117.1, A156.19, and the Americans with Disabilities Act.

- Standard, top jamb (pull side) mounted 4630 Series closer shipped with single lever (standard) arm, metal cover, standard track, and wood and machine screw pack. Actuators available separately, see pages 122-137.
- Meets ADA requirements (power mode).
- Non-sized cylinders for interior doors to 4'0" and exterior doors to 3'0".
- Non-handed for either right or left swinging door.
- 4630 has easily accessible switches to provide on/off and continuous hold open functions. 4630 with CS option provides concealed on/off power switch. Control module provides all timing and sequential door functions, electric strike controls and adjustments for opening speed and force.
- Standard or optional custom powder coated finish, end caps are black.
- Optional plated finish on cover, arm, and fasteners.

MOUNTING				FINISH		COVER		CYLINDER				*ARM FUNCTION							
TOP-JAMB (PULL-SIDE)	TOP-JAMB (PUSH-SIDE)	PARALLEL ARM	CONCEALED	POWDER COAT	PLATED	PLASTIC	METAL	NON-HANDED	NON-SIZED	ACCESSIBILITY*	POWER OPERATOR	HOLD-OPEN	DPS SWITCH	90°	STANDARD (SINGLE)	REGULAR (DOUBLE)	EXTRA DUTY	CUSH-N-STOP	SPRING CUSH
●	○	○	○	●	●	○	●	●	○	○	○	○	○	○	○	○	○	○	○

● AVAILABLE  
○ NOT AVAILABLE

○ Meets ADA requirements (power mode).  
\* See individual series for maximum manual opening.  
\*\* Switch provided for continuous hold open (4630 only).

# 4630 SERIES

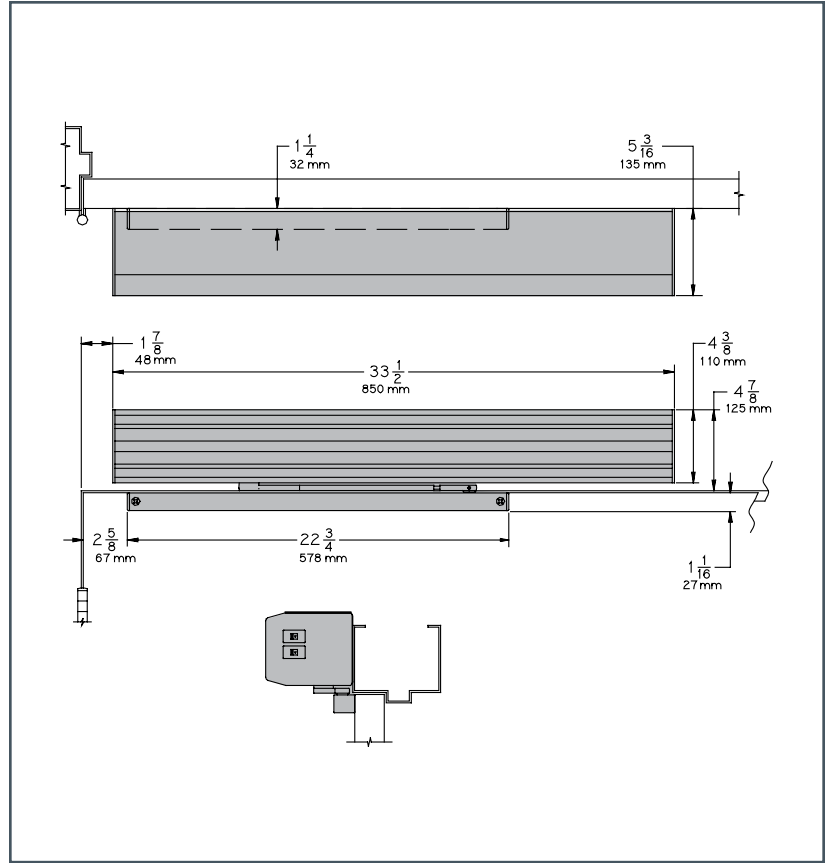
## TOP JAMB (PULL SIDE) MOUNTING

### MAXIMUM OPENING

Templating allows 90° power opening and 170° manual opening.

Please note that many track style door closers are capable of allowing 180° of door swing. Track style closers are at their weakest closing force at 180°. Consult factory for applications where exterior or large/heavy door must swing 180°.

**Consult factory for all pivot mounted installations.**



- **Butt Hinges** should not exceed 5" (127 mm) in width.
- **Auxiliary Stop** is recommended.
- **Reveal** should not exceed  $\frac{1}{8}$ " (3 mm).
- **Head Frame** minimum 2" (51 mm).
- **Top Rail** minimum 1- $\frac{1}{8}$ " (29 mm).
- **Opening Time and Force** are variable by adjustments to the electronic control module located on the operator assembly. Maximum hold open time adjustable up to approximately five minutes.
- **System Diagram** See "AUTOMATIC OPERATORS" section pages 36 for typical system wiring and pages 37-38 for electrical data.

### Special Templates

Customized installation templates or products may be available to solve unusual applications. Contact LCN Product Support for assistance.

# 4630 SERIES

## CYLINDERS

### CYLINDER ONLY, 4631-3971

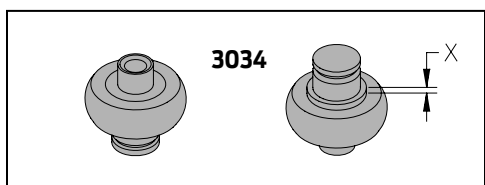
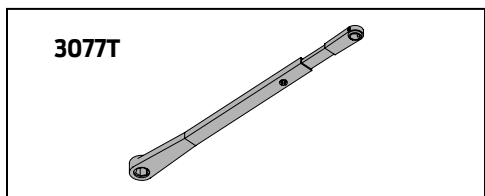
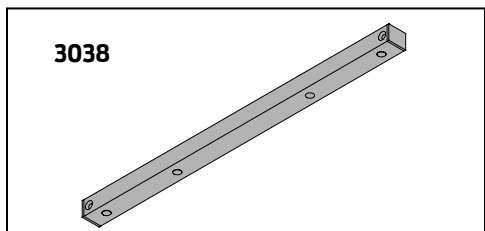
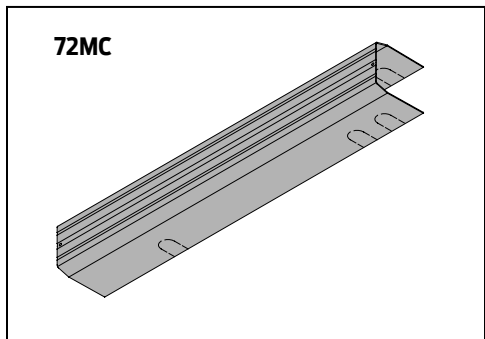
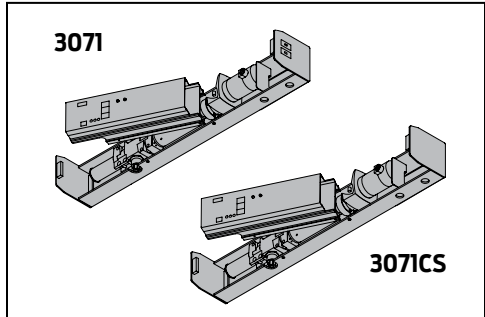
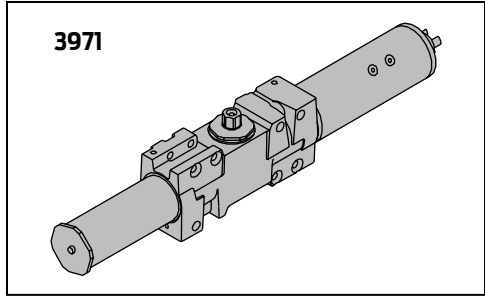
Standard, non-handed, cast iron cylinder.

### CYLINDER ASSEMBLY, 4631-3071

Standard, non-handed, cast iron cylinder and mounting plate. Includes; 4630-3454 Motor Clutch, 4630-3180 I/O Board Assembly and 4630-3462 Controller.

### CYLINDER ASSEMBLY, 4631-3071CS

Standard, non-handed, cast iron cylinder and mounting plate. Includes; 4630-3454 Motor Clutch, 4630-3180 I/O Board Assembly and 4630-3462 Controller. Same as a 4630-3071 assembly except on/off switch is concealed in endcap and no hold open switch is included. (Separate key switches suggested).



## COVERS

### COVER, 4630-72MC

Standard, non-handed metal cover.

## TRACKS

### STANDARD TRACK, 4630-3038

Standard non-handed track.  
Will not accept hold open clip or bumper assembly.

## ARMS

### STANDARD ARM, 4630-3077T

Non-handed arm.  
Track roller not included with arm.

## INSTALLATION ACCESSORIES

### TRACK ROLLER, 4630-3034

Quiet low friction roller assembly.  
Shoulder dimension "X" = 1/8" (3mm).

# 4630 SERIES

## INSTALLATION ACCESSORIES

### SWITCH END CAP, 4630-334

End cap (black powder coat finish only) with cut outs for installing on/off and hold open switches.

### BLANK END CAP, 4630-334-2

Black powder coat only.

### SWITCH END CAP, 4630-334CS

End cap and switch (black powder coat only) for concealed switch option.

### ON/OFF SWITCH ASSEMBLY, 4630-3179-1

Black rocker switch. Plugs into high voltage PC board.

### HOLD OPEN SWITCH ASSEMBLY, 4630-3179-2

Black rocker switch. Field wired to low voltage PC board.

### PC BOARD ASSEMBLY, 4630-3180

High and low voltage PC boards connected to mounting bracket.

### MOTOR/CLUTCH ASSEMBLY, 4630-3454

A geared assembly in an LCN power operator that incorporates a "no destruct" feature.

### CONTROL BOX ASSEMBLY, 4630-3462

Digital controller with built-in 12/24 VDC power supply. Programming and timing functions are adjusted on controller.

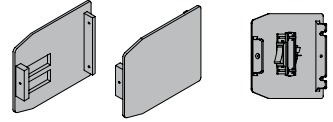
### AC POWER CABLE, 4630-3498-2

2 wire cable to connect 120 VAC from PC board assembly to controller.

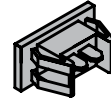
### RIBBON CABLE CONNECTOR, 4630-3498-1

16 wire ribbon cable connecting 1-24 pin terminal connectors to controller.

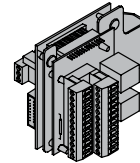
334  
334-2  
334CS



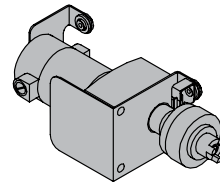
3179-1  
3179-2



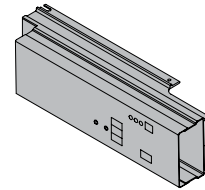
3180



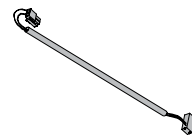
3454



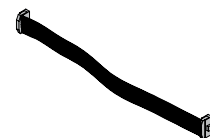
3462



3498-2



3498-1



# 4630 SERIES

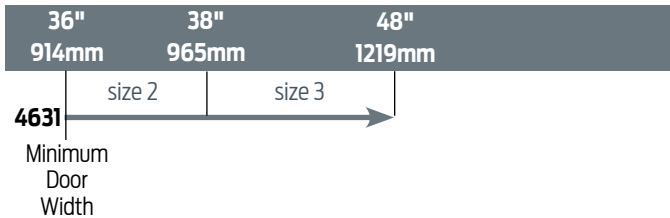
## TABLE OF SIZES

Non-Sized 4630 series cylinder is adjustable from size 1 through size 4 and is shipped set to size 3. Closing power of 4630 Series closers may be increased 50%.

### EXTERIOR (and VESTIBULE) DOOR WIDTH



### INTERIOR DOOR WIDTH



→ Indicates recommended range of door width for closer size.

NOTE: Minimum door width 36" (914 mm).

## HOW-TO-ORDER 4630 SERIES CLOSERS

### 1. SPECIFY FINISH

- Standard Powder Coat \_\_\_\_\_  
Aluminum, Dark Bronze, Statuary,  
Light Bronze, Black, Brass.

### Closer will be shipped with:

- STANDARD CYLINDER,
- STANDARD METAL COVER,
- STANDARD ARM,
- TRACK ROLLER,
- STANDARD TRACK,
- WOOD and MACHINE SCREW PACK,  
*unless options listed below are selected.*

## CLOSER OPTIONS

### CYLINDER ASSEMBLY

- CS (concealed on/off switch)  
(separate key switches suggested)

### FINISH

- Custom Powder Coat (RAL) \_\_\_\_\_
- Plated Finish, US \_\_\_\_\_

### SCREW PACK

- TB\*; Wood & Machine Screw (TBWMS)
- TORX Machine Screw (TORX)
- TB\* & TORX Machine Screw (TBTRX)  
\*Specify door thickness if other than 1-3/4".

### SPECIAL TEMPLATE

- ST-\_\_\_\_\_